

► **Code Number**

3335047

► **Description**

Solar Powered, Sensor Activated Electronic Hand Washing Faucet for pre-tempered or hot and cold water operation.

► **Flow Rates**

☐ EAF-12 0.5 gpm/1.9 Lpm Multi-Stream Laminar Spray Head

► **Specifications**

Solar Powered, Sensor Activated, Electronic, Chrome Plated Constructed Metal, Hand Washing Faucet with the following features:

- Modular One-piece Construction with all Concealed Components above deck
- Double infrared sensors with automatic setting feature
- Automatic Self-adapting Sensor Technology
- Solar Powered
- Magnetic Solenoid Valve
- Water Supply Connection with Flexible High-pressure Hose and Strainer
- Appropriate Mounting Hardware included
- Includes 6 VDC Lithium Battery Back-up Power Source

► **Variations**

ISM - Integral Side Mixer

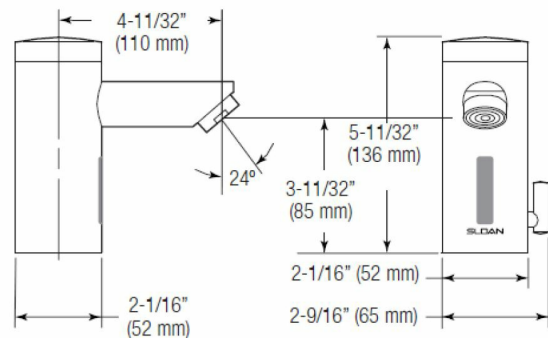
2" Extension

► **i.q.-Click FEATURE**

The i.q.-Click is a button that extends from the underside of the faucet spout that allows the user to place the faucet into the following function modes: Continuous Run, Temporary Off, Permanent Off and Auto Set Range Adjustment.

► **Time Out Setting**

30 seconds — Maximum time faucet will run upon continuous detection



► **The new Optima solar powered faucet — Bringing intelligence to water**

The first solar powered electronic faucet's integrated power plant transforms light into electrical energy. Optimal performance any place, any time

Sloan's new Optima EAF-275 Series electronic hand washing faucets operate by means of a dual infrared sensor and microprocessor based logic. The modular design incorporates all of the operating components of the faucet, including the sensor, solenoid, circuitry and solar energy module above the sink within a die-cast metal spout.

ISM models feature an integral temperature control lever which allows the user to adjust the water temperature. This adjustment can also be converted to a fixed setting. EAF faucets ordered without the ISM variation must be connected to a single, pre-tempered water supply.

► **Compliance & Certifications**

CEC Compliant

ASME A112.18.1-2011/CSA B125.1-11, NSF372, ICC/ANSI 117.1



This space for Architect/Engineer Approval

► Control Circuit

6 VDC — Includes Auto Set and Range Adjustment LED

► Sensor Range

Faucet Adaptive Self-adjustment Range: 2"-14" (51 mm -356 mm) nominal

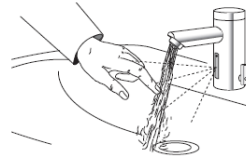
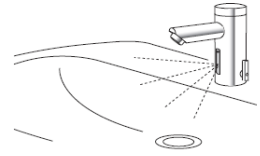
Nominal: 4" - 5" (102 mm - 127 mm)

► Power Supply

6 VDC Solar Energy Module with 6 VDC Lithium Battery Back-up Power Source

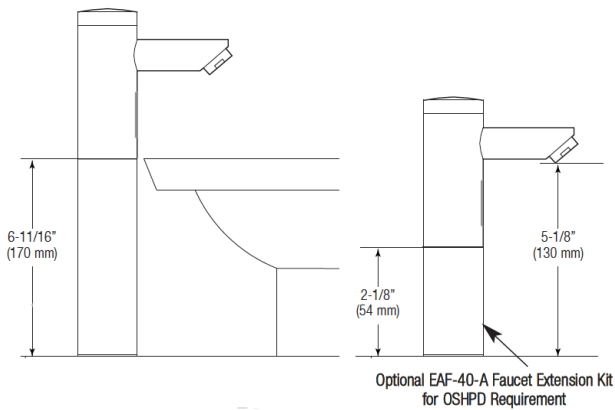
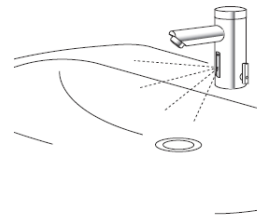
► OPERATION

1. A continuous, invisible light beam is emitted from the sensor located at the front of the hand washing faucet.



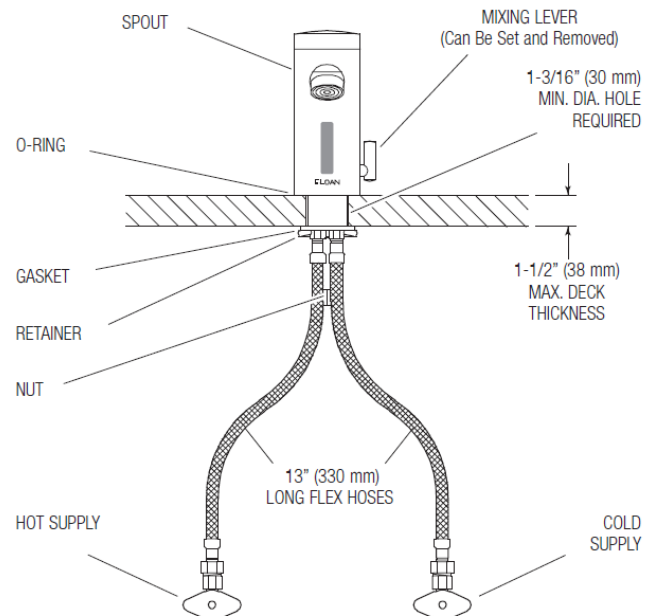
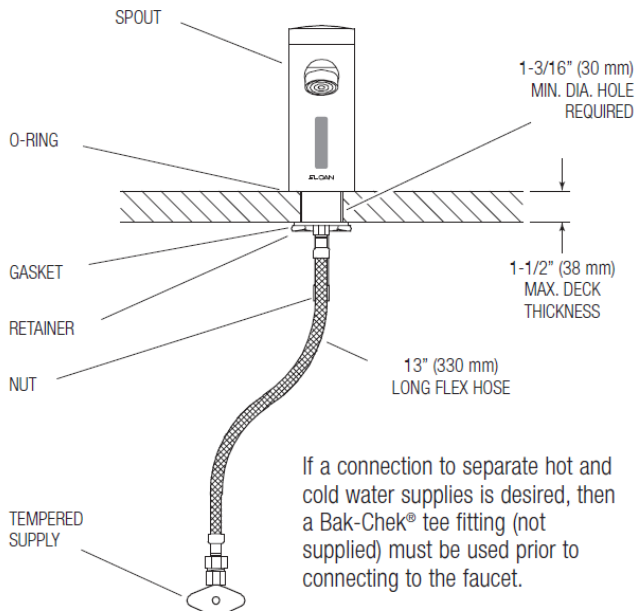
2. As the user's hands enter the beam's effective range, the beam is reflected back into the sensor receiver and activates the solenoid valve allowing water to flow from the faucet. Water will flow until the hands are no longer sensed or until the faucet reaches its automatic time out limit setting.

3. When hands are moved away from the sensor, the loss of reflected light initiates an electrical signal that deactivates the solenoid valve shutting off the water flow. The circuit then automatically resets and is ready for the next user.



EAF-275
Faucet with Single Line Water Supply

EAF-275-ISM
Faucet with Hot and Cold Water Supply



If a connection to separate hot and cold water supplies is desired, then a Bak-Chek® tee fitting (not supplied) must be used prior to connecting to the faucet.